

English

OWNER'S MANUAL

STOOLS

Comfort / Professional / Ergonomic



PRESENTATION OF MANUAL

Technical Name: Odontological Stool

Trade Name: Odontological Stool

Models: Comfort / Professional / Ergonomic

Technical Duties: Daniel R. de Camargo

CREA-SP: 5062199650



Alliage S/A Indústrias Médico Odontológica
Rodovia Abrão Assed, Km 53 + 450m - CEP 14097-500
Ribeirão Preto - SP - Brasil
Tel: +55 (16) 3512-1212

REF

77000001602 - Rev.: 01 - June/22

Document originally written in Portuguese.

MARCAS REGISTRADAS

All terms mentioned in this manual that are known trademarks, registered trademarks or service marks have been appropriately labeled as such. Other products, services or terms that are mentioned in this manual may be trademarks, registered trademarks or service marks of their respective owners.

Alliage S/A makes no claims regarding these trademarks. The use of a term in this manual should not be considered to influence the validity of any trademark, registered trademark or service mark.

Copyright © 2019 Alliage S/A. All rights reserved.

The performance characteristics provided in this manual are for reference only and should not be considered as guaranteed specifications.

INDEX

1. GENERAL INFORMATION	6
1.1. DEAR CUSTOMER	6
1.2. CONTRAINDICATION	6
1.3. SYMBOLOGY	7
2. WARNINGS, CAUTIONS AND RECOMMENDATIONS	9
3. SYSTEM GENERAL DESCRIPTION	11
3.1. EQUIPMENT DESCRIPTION	11
3.2. PRODUCT MAIN COMPONENTS	12
3.2.1. Comfort	12
3.2.2. Professional	12
3.2.3. Ergonomic	13
4. OPERATION	15
4.1. Seat adjustment (All models)	15
4.2. Backrest adjustment (Professional / Ergonomic)	15
4.3. Footrest adjustment (Ergonomic)	16
5. CLEANING AND DISINFECTION	18
6. INSPECTION AND MAINTENANCE	20
6.1. PREVENTIVE MAINTENANCE	20
6.2. CORRECTIVE MAINTENANCE	20
7. TECHNICAL SPECIFICATIONS	22
7.1. GENERAL FEATURES	22
7.2. DIMENSIONS	23
8. EQUIPMENT'S WARRANTY	26
9. ALLIAGE AUTHORIZED SERVICE NETWORK	28

GENERAL INFORMATION

1. GENERAL INFORMATION

1.1. DEAR CUSTOMER

Congratulations on your excellent choice. By purchasing equipment with ALLIAGE quality, you can be assured of acquiring products with a technology compatible with the best in the world in its class.

This manual provides you with a general presentation of your equipment, describing important details that may guide you in your correct use, as well as in solving small problems that may occur.

This manual should be read in full and kept for future reference.

1.2. CONTRAINDICATION

There is no known contraindication for this equipment.

1.3. SYMBOLOGY

The following symbols are used both throughout this manual and in the product. Make sure that you fully understand each symbol and follow the accompanying instructions.



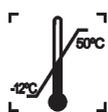
Fragile, handle with care



Maximum stacking



Protect from rain



Temperature limit



This side up



Keep away from sunlight



Manufacturer



Manufacture Date



Attention



General warning

REF

Catalog number



Action required

WARNINGS, CAUTIONS AND RECOMMENDATIONS

2. WARNINGS, CAUTIONS AND RECOMMENDATIONS

General warnings



Please read and understand all instructions contained in these instructions for use before installing or operating this equipment.



Use only the equipment in perfect condition and protect yourself, patients and third parties from any hazards.

During transportation

The equipment must be transported and stored, observing the following:

- Handle care to avoid falls, excessive vibrations and impacts;
- The packing arrows should be pointing upwards;
- Do not stack above the quantity indicated on the package;
- Do not walk or stand on the package;
- Protect against sunlight, moisture, water and dust;
- Observe the temperature, pressure and relative humidity limits.

Before using the equipment

To help ensure proper hygiene and protect against infectious diseases, prior to first use, the equipment should be cleaned and disinfected following the instructions contained in this manual.

SYSTEM GENERAL DESCRIPTION

3. SYSTEM GENERAL DESCRIPTION

3.1. EQUIPMENT DESCRIPTION

Seat lift system through side lever that allows greater ease and quick adjustment of positions.

Adjustable footrest, allowing better position in the operative field and facilitating hemodynamics*.

The vertical, horizontal and tilting movements of the Backrest are triggered via a handle*, providing varied adjustments for the lumbar support, allowing the professional to sit correctly respecting the hemodynamics, that is, when the professional is seated he should be with the thigh parallel to the ground and the sole of his feet resting on the ground or in the ring.

Backrest with height adjustment and easy adjustment to the height of the professional providing more comfort*.

Strong Base with 5 chair caster wheels provides excellent stability and easy mobility.

Upholstery in rigid and durable material, with seamless coating, suitable density and anti-deformation Provides more comfort for the professional and is easy to clean and aseptis. Smooth finish with rounded corners. Seat with central elevation and lowering of the anterior edges*, blood circulation to occur naturally.

* Check purchased model.

3.2. PRODUCT MAIN COMPONENTS

3.2.1. Comfort



- 01 - Backrest
- 02 - Seat
- 03 - Seat height adjustment lever
- 04 - Base
- 05 - Chair caster wheel assembly

3.2.2. Professional



- 01 - Backrest
- 02 - Seat
- 03 - Backrest tilt adjustment lever
- 04 - Seat height adjustment lever
- 05 - Base
- 06 - Chair caster wheel assembly

3.2.3. Ergonomic



- 01 - Backrest
- 02 - Seat
- 03 - Backrest tilt adjustment lever
- 04 - Seat height adjustment lever
- 05 - Foot support ring
- 06 - Base
- 07 - Chair caster wheel assembly



PVC, leather or ultra-leather laminate upholstery available in various colors.*

* (Subject to commercial availability).

4

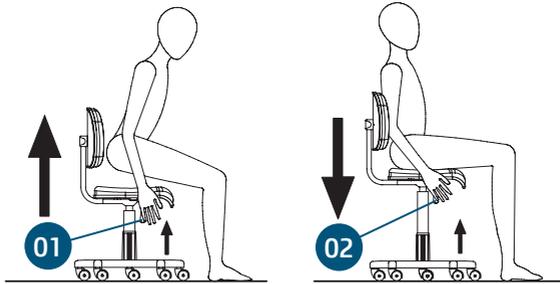
OPERATION

4. OPERATION

4.1. Seat adjustment (All models)

RISE: Suspend the body and, with a slight upward touch on the lever (01), the Seat will automatically go up. Release the lever at the desired height.

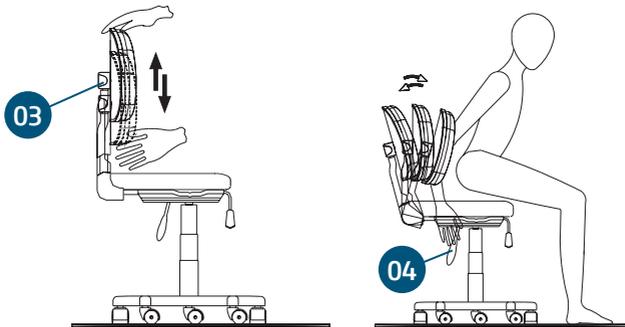
DOWN: Sit in the center of the Dentist chair and with a slight touch up on lever (02), the Seat will descend with the weight of your body (minimum 50Kg). Release the lever at the desired height.



4.2. Backrest adjustment (Professional / Ergonomic)

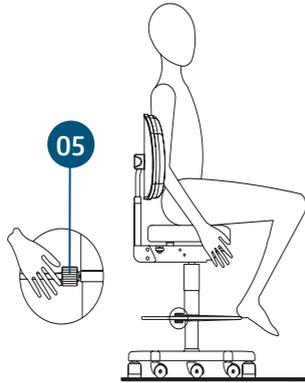
VERTICAL: The height adjustment of the Backrest is done manually (ratchet system) (03), just pull it and release it in the desired position.

HORIZONTAL: Pull the lever (04) and adjust the Backrest tilt to the desired position.



4.3. Footrest adjustment (Ergonomic)

For perfect hemodynamics, when using the Dentist chair, it is recommended to use the footrest. To adjust the position of the support, release the lever (05) and adjust to the desired position.



5

CLEANING AND DISINFECTION

5. CLEANING AND DISINFECTION



For your protection, during the process of cleaning and disinfecting the equipment, use PPE such as disposable gloves and goggles.



Care for upholstery cleaning (PVC laminate "leather", leather or ultra-leather)
Never use any type of alcohol, micro abrasive material, detergents containing solvents such as ether or stain removers to clean the upholstery, as this may cause stains.

Procedure for cleaning upholstery in PVC (courvin) or ultra-leather laminate:

- It is recommended to use a cloth moistened with water with neutral soap.

Procedure for cleaning leather upholstery:

- For cleaning and moisturizing leather upholstery, we recommend the use of exclusive products for this purpose.
- Never wet or tightly rub the leather. If dirt falls on the leather that may stain it, wipe it immediately with a cloth moistened with mild soap.

General cleaning

For cleaning use a clean, soft cloth moistened with mild soap and then dry with a clean, soft cloth or paper towel.

Desinfecção

For the disinfection process of the equipment, use disinfectant detergent foam that has active components based on didecyldimethylammonium chloride (except for upholstery). Apply the disinfectant detergent foam on the surface or on a clean cloth and spread it over the surface to be treated. Respect the antimicrobial contact time specified by the manufacturer. After application, allow to dry. Do not rinse off.

6

INSPECTION AND MAINTENANCE

6. INSPECTION AND MAINTENANCE



Maintenance or service procedures may only be carried out by a technical service authorized by the manufacturer.
All instructions for using the equipment as intended are provided in this user guide. If a problem is detected and cannot be corrected with the instructions in the problem diagnostics section, contact the Alliage Service Department.

6.1. PREVENTIVE MAINTENANCE

In addition to the annual inspection, to ensure a long service life and plain operation of your equipment, it is important to carry out preventive maintenance for a maximum period of three (3) years.

Contact the Alliage Service Department about our periodic overhaul and preventive maintenance program.

6.2. CORRECTIVE MAINTENANCE

Alliage declares that the provision of circuit diagrams, component lists or any other information that provides technical assistance on behalf of the user, can be requested as long as previously agreed between the user and Alliage.

The warranty will be void if the original parts are removed/replaced by unauthorized service technicians.

7

TECHNICAL SPECIFICATIONS

7. TECHNICAL SPECIFICATIONS

7.1. GENERAL FEATURES

Comfort

Net Weight

7,2 Kg

Gross Weight

9,2 Kg

Load Capacity

110 Kg

Professional

Net Weight

10,4 Kg

Gross Weight

12,6 Kg

Load Capacity

110 Kg

Ergonomic

Net Weight

12,4 Kg

Gross Weight

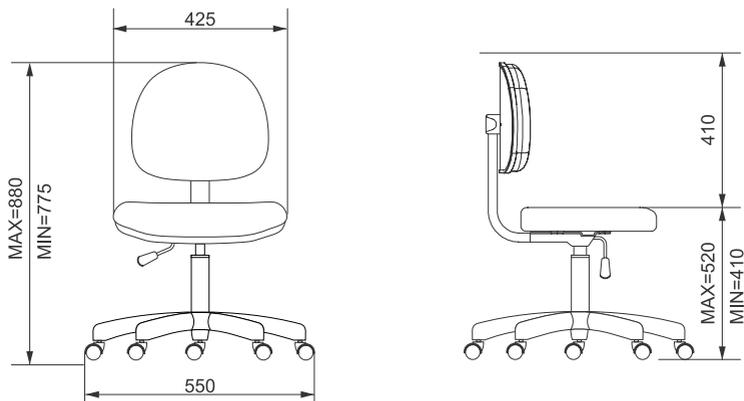
15 Kg

Load Capacity

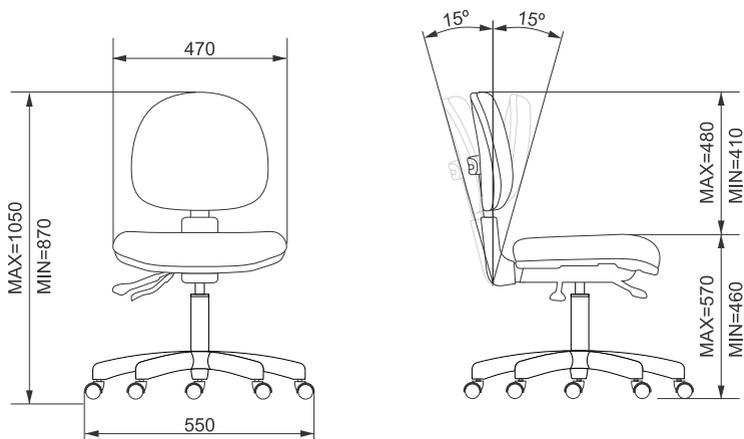
110 Kg

7.2. DIMENSIONS (mm)

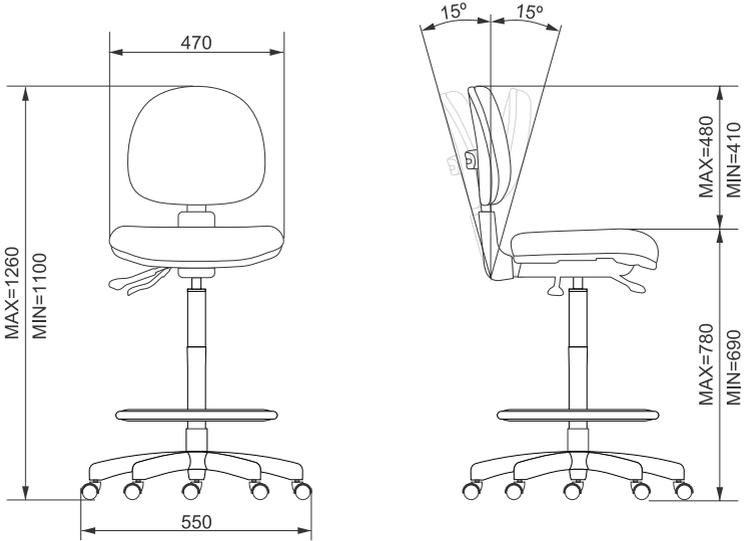
Comfort



Professional



Ergonomic



8

WARRANTY

8.WARRANTY

This equipment is covered by the warranty periods, terms and conditions contained in the Warranty Certificate that comes with the product.

ALLIAGE AUTHORIZED SERVICE NETWORK

9.ALLIAGE AUTHORIZED SERVICE NETWORK

All services performed on the Alliage equipment must be performed by an Authorized Technical Assistant, as otherwise they will not be covered by the warranty.

If you need to request electrical diagrams and or specification of components that is not stated in the user manual, use the Alliage Customer Service to make the request.

Phone: +55 (16) 3512-1212

Address: Rodovia Abrão Assed, Km 53 + 450m - Recreio Anhangüera – Ribeirão Preto-SP/ Brasil CEP 14097-500

