

X RAY
AXR



**LIGHT GREEN
TECHNOLOGY
95% LESS LEAD**



**CUTTING EDGE
TECHNOLOGY
FOR EVERY
DIAGNOSIS**

Illustrative image.

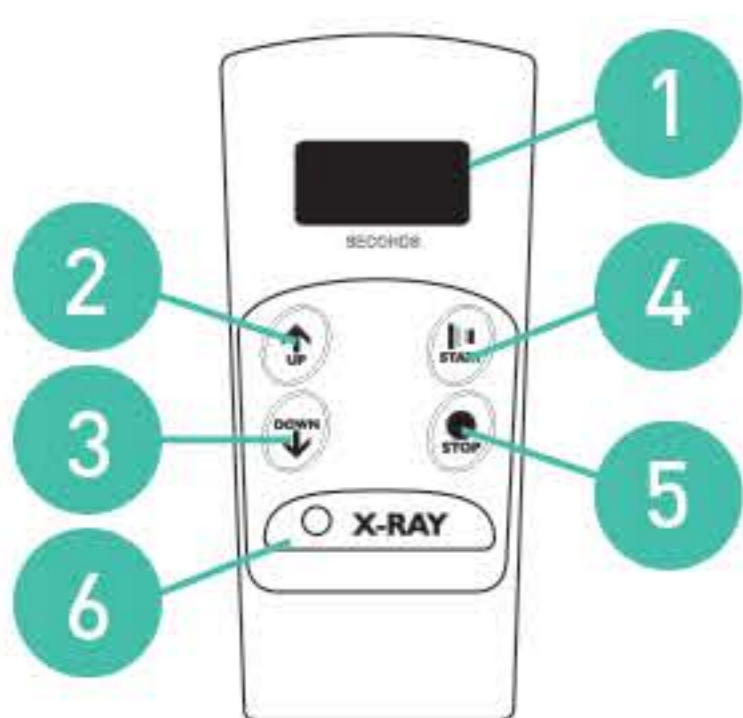
X RAY
AXR

SHOWCASE YOUR BEST

Impress your patient with high-tech features such as the Green technology, with 95% less lead to ensure maximum health protection.

ANVISA: 10069210087

**PRODUCT
READY
FOR THE
DIGITAL
SYSTEM**



DISPLAY

- 1 • Display
- 2 & 3 • Time Adjustment
- 4 • Trigger
- 5 • Stop
- 6 • Status



**CUTTING EDGE
TECHNOLOGY**

Extremely light, with a very high degree of radiation isolation allows a smooth movement, precise and with excellent stability, and excellent stability.

Light Green Technology

95% less lead in the X-Ray head, reducing the impact on the environment.

Digital and analog time selections and adjustments optional preprogrammed times available in the control, according to the need.

Pre-programmed times

20 pre-programmed times for different applications, depending on the type of patient, radiographic receptor or tooth position.

Time intervals

25 standardized exposure time intervals - also allows operations with centesimal exposures from 0.06 seconds.

Reprogramming of the times

The professional can enter and record new desired new desired times.

THE TECHNOLOGY YOU TRUST IN THE SIZE YOU NEED



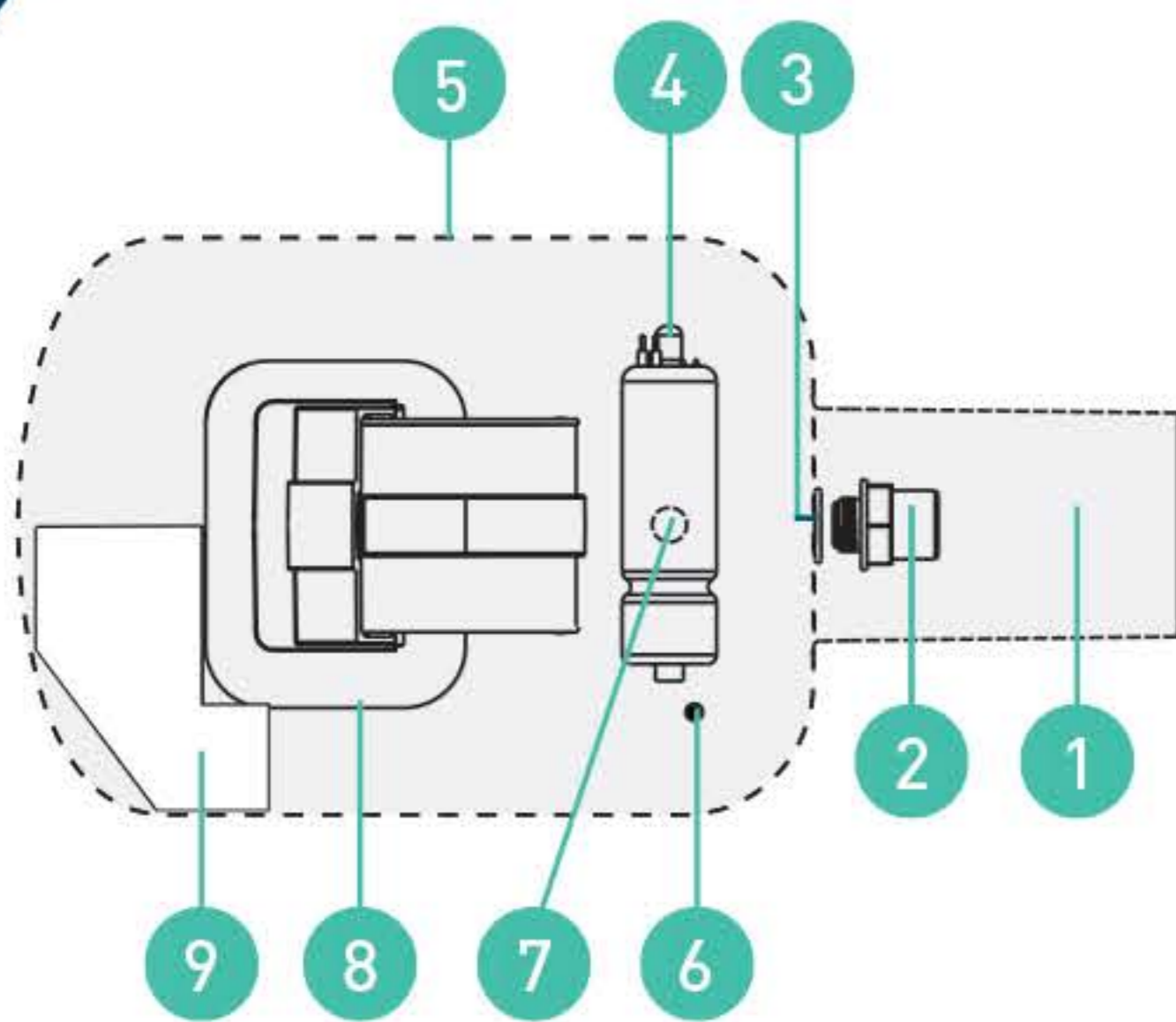
X-RAY WALL MOUNTED

Enables maximum space optimization



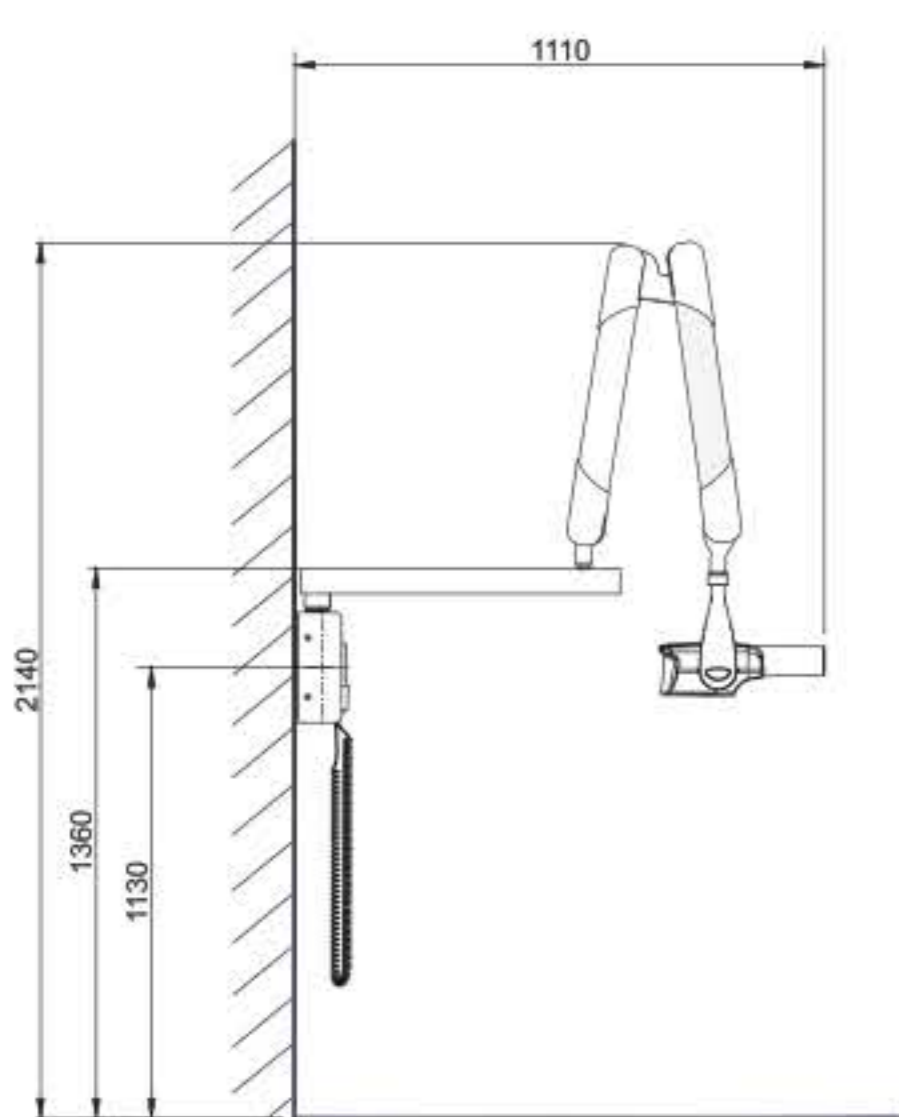
X-RAY WALL MOUNTED WITH SCISSOR ARMS

Enables full approach to the operative field

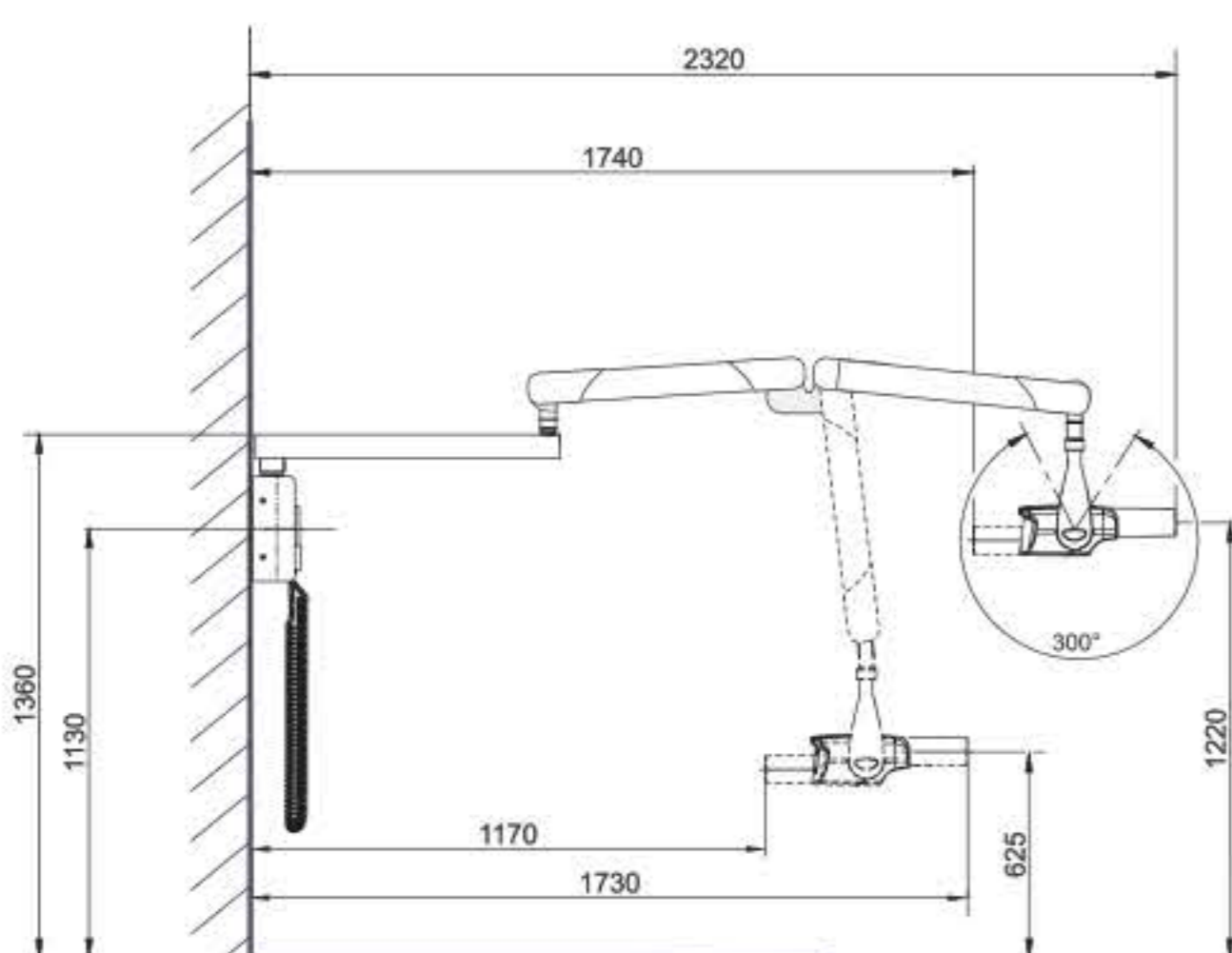


TECHNICAL SPECIFICATIONS TRANSMITTER ASSEMBLY

- 1 • Aluminum filter (1mm α l)
- 2 • Collimator
- 3 • Collimator O-ring
- 4 • X-ray tube
- 5 • External cover
- 6 • Insulating oil
- 7 • Focal point
- 8 • High tension coil
- 9 • Electronic plate



DIMENSIONS (IN MM)



X-RAY MOBILE COLUMN

Enables mobility with long reach

MAY 2023
ANVISA: 10069210087

REQUEST
YOUR QUOTE
X-RAY